

## IP SMART-SIGHT SERIES

Provision-ISR SMART-SIGHT Series includes high performances AI CAMERAS, designed for specific purposes and applications. All the devices' components (from the sensor, to the optics, through the CPU and even the lighting) were especially selected to deliver the most accurate AI result for the required application.



# I6-320LPR-MVF1

## 60M IR 2MP MOTORIZED LENS LPR BULLET CAMERA

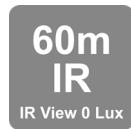
Provision-ISR I6-320LPR-MVF1 LPR camera relies on the most advanced image-processing technology. Equipped with a 2.8-12mm motorized lens, this 2MP bullet camera has been designed to capture international license plates' numbers and letters.

I6-320LPR-MVF1 captures the license plate in real time generating appropriate action such as opening a gate or giving an alert.

Provision-ISR LPR cameras best application is in gate automation and street monitoring.



**SMART PLATE**  
LICENCE PLATE RECOGNITION CAMERAS



### MAIN FEATURES

- 2MP
- 1920x1080 Resolution
- 2.8-12mm Motorized Vari-Focal (103.4°-32.4°)
- 3D-DNR
- IP67
- 2 Way-Audio
- Alarm in + Out

### ANALYTICS

- General Analytics: Camera Tampering
- LPR (licence plate recognition):
  - LPR (detection speed): 0-40Km/h
  - LPR (database):10000 Plate Database



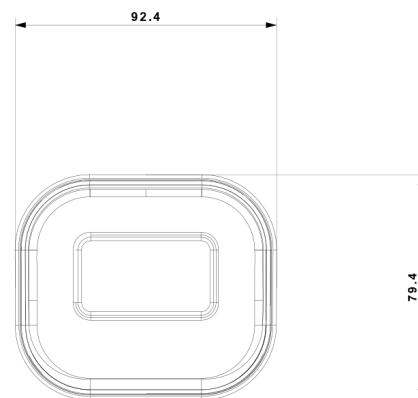
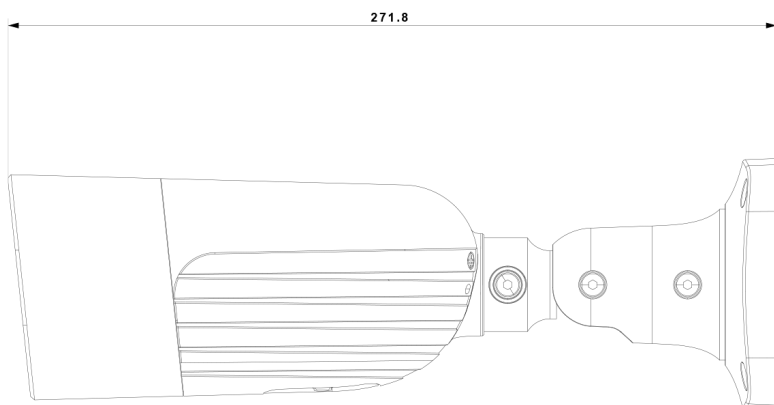
## SPECIFICATIONS

Image Sensor	1 / 2.8" CMOS
Effective Pixels	1920x1080
Electronic Shutter	1/25s ~ 1/10000s
Frame Rate	1-25/30FPS In Normal Mode 1-50/60FPS in HFR Mode***
Day & Night	ICR
Min. Illumination	Day: 0.1lux / Night: 0.005lux (@F1.6, AGC On) 0lux with IR on
Audio compression	G.711A/G.711U
Communication	Two-way Audio
Image Settings	AWB, AGC Adjustable, Exposure Mode (Auto) Sharpness, Saturation, Brightness & Contrast Adjustable
Image Enhancement	True WDR(120dB), BLC, HLC, ROI
Noise Reduction	3D-DNR
Image Orientation	Mirror/Flip
Privacy Zone	Yes
Motion Detection	Yes
Analytics	General Analytics: Camera Tampering LPR: License plate recognition
license plate database	LPR (database):10000 Plate Database
Speed	LPR (detection speed): 0-40Km/h
Accuracy	Recognition rate up to 99% under good conditions
Automation	Automation: Can work as a standalone for gate automation
Recognition distance	1.05m-14.32m
Recognition per second	2 plates per second
Triggers	Snapshot / Email / FTP for allow/block lists
Video Compression	H.265S/H.264S*, H.265+/H.264+/H.265/H.264, MJPEG**
Resolution	2MP / 1MP / D1 (704x576) / QVGA (480x240) / CIF (352x288)
Multi-Stream	Master Stream: 2MP (1920x1080) / 1MP (1280x720) (1~30fps) Sub-Stream: 1MP/QVGA/D1/CIF Third Stream: QVGA/D1/CIF (1~30fps)
Bit rate	64Kbps ~ 8Mbps@H.265 / 64Kbps ~ 12Mbps@H.264

## SPECIFICATIONS

Encode Mode	VBR/CBR
Image Quality	Five levels under VBR; Free adjustment under CBR
IR Distance	60m (4 High Power IR LED)
Lens (Field of View)	2.8-12mm MVF(103.4°-32.4°)
Iris	DC Iris
Lens Mount	Ø14 Mount
Protection Rate	Water Proof: IP67
Bracket	3-Axis Bracket
Dimensions	271.8x92.4x79.4mm
Weight (gross)	~1040g
Network	RJ45 (+PoE)
Power	DC Socket
Analog Video Output	Technician Port
Audio Connectivity	Audio Input + Audio Output
SD Card	Event/Schedule based Main/Sub-Stream recording (Up to 128Gb)
Hard Reset Button	Yes
Alarm	Alarm in + Alarm Out
Remote Monitoring	IE Browsing, CMS Software, Provision Cam2 Mobile App
User Access	Supports simultaneous monitoring for up to 10 users with multi-stream real time transmission
Network Protocol	IPv4, IPv6, TCP, UDP, DHCP, NTP, DDNS, 802.1X, RTSP, Multicast, UPnP, Email, FTP, HTTPS, QoS
ONVIF	Yes
Ethernet	100Mbps
PoE	Yes
Power Supply	DC12V/~910mA / PoE/~11W
Work Environment	-30°C~60°C, 10%~90% Humidity
Junction Box	PR-JB14IP66 - PR-JB14IP64

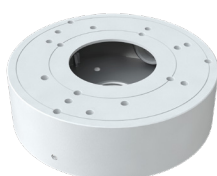
## DIMENSIONS



## ACCESSORIES



PR-JB14IP66



PR-JB14IP64